

GREEN WALL PROTOTYPE PRESENTATION

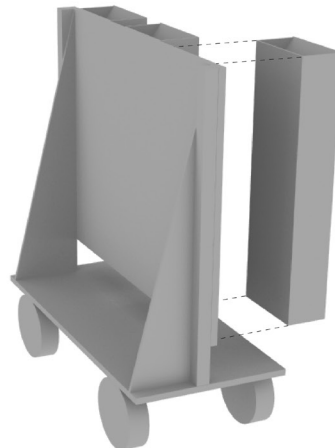
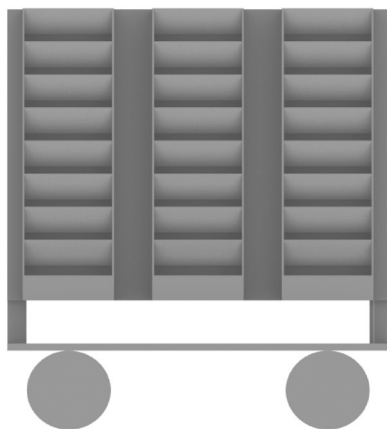
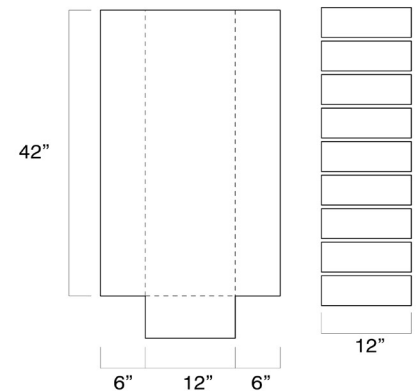
PLSC 450 // GREEN INFRASTRUCTURE DESIGN AND CONSTRUCTION

COME JOIN US FOR A STUDENT PRESENTATION ON THE DESIGN AND FABRICATION OF A GREEN WALL PROTOTYPE THAT WE HOPE CAN BE USED BY FUTURE CLASSES FOR EXPERIMENTATION AND EXPERIENTIAL LEARNING. THIS MOBILE VEGETATED FEATURE WILL INTEGRATE LIGHTING AND A CLOSED-LOOP HYDROPONIC SYSTEM TO SUPPORT AN EXPERIMENT DEVELOPED BY THE STUDENTS AS A DEMONSTRATION OF PROOF-OF-CONCEPT. THE GREEN WALL WILL SERVE TO INSPIRE INTEREST IN CURRENT AND FUTURE STUDENTS TO STUDY AND RESEARCH SUCH TECHNOLOGIES.

DATE: WEDNESDAY - MAY 1ST

TIME: 11AM -12 PM

LOCATION: PLANT BIOTECHNOLOGY BUILDING - ROOM 113



CONTACT IAN MCRAE (IMCRAE@UTK.EDU)